

# Toluca DeLuxe

Optiflame® | 230V/50Hz | 2000 Watt



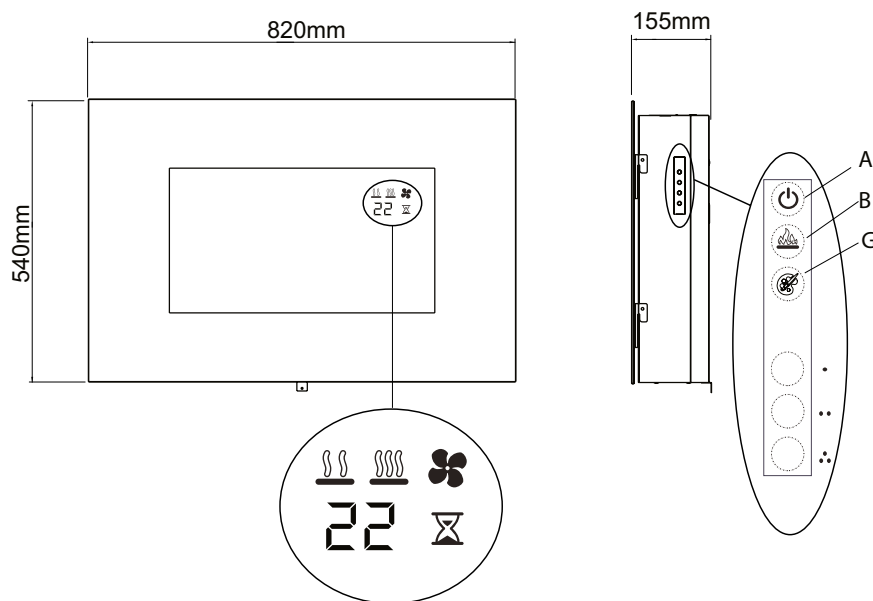
This even more complete version of the Toluca wall hung fireplace adds to the fun with built in BT speakers. Fine to listen to the crackling sound of a fire, also great to listen to your favourite tunes. What remains unchanged: the Toluca is a quality Dimplex fire that fits nearly any interior style and into the smallest of spaces. Still, it offers the great Optiflame® fire experience, multicolor LEDs for the interior and back light, heater and remote. Pure comfort!

- Ember bed with acrylic ice can be illuminated in 4 colors
- Indirect backlight in 4 colors
- Bluetooth speaker to stream your music or favourite radio station from your phone
- Elegant glass front with black border
- Crackling logs sound effects with adjustable volume

# Toluca DeLuxe

## Unit dimensions

All dimensions are in mm



		Toluca de Luxe
<b>General specifications</b>	Fire system	Optiflame®
	Article number	210418
	EAN code	5011139210418
	Model	Wall fireplace
	View of the fire	1 sided
	Colour	Black
	Decoration / fuel bed	Acrylic ice
<b>Product size</b>	Measurements view of the fire (WxH)	51 x 28 cm
	Outside dimensions WxHxD	82 x 54 x 15,5 cm
<b>Features</b>	Heat output	Yes
	Thermostat	Yes
	Remote control	Yes
	Manual controlling directly at the fireplace possible yes / no	Yes, only flame and effects
	Light module	LED
	Sound module	Yes, speaker sound via bluetooth
	Colour effects settings	Fuelbed in multiple colors
<b>Power consumption</b>	Heat setting 1 in W	1000W
	Heat setting 2 in W	2000W
	Flame only operation in W	10W
	Max. consumption	2000W
<b>Voltage</b>	Voltage/Electrical frequency	230V/50Hz
<b>Specifications</b>	Product weight in kg	14
	Length of the cord	1,5 m
	Warranty	2 years

### Disclaimer

We have compiled this publication with the utmost care. The information in this publication can be shown inaccurately, may have been changed or supplemented. This publication can be changed. Glen Dimplex is not responsible for the action taken, decisions of results based solely on the information contained in this publication.